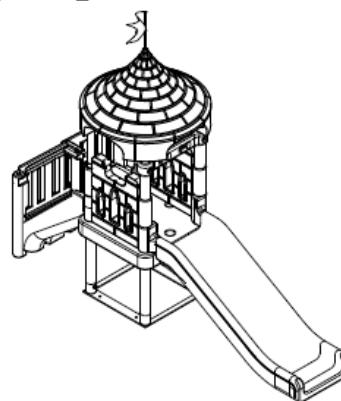
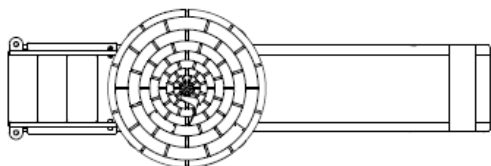
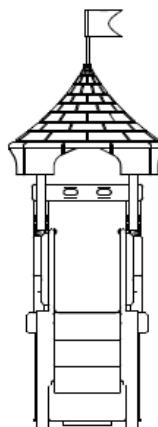
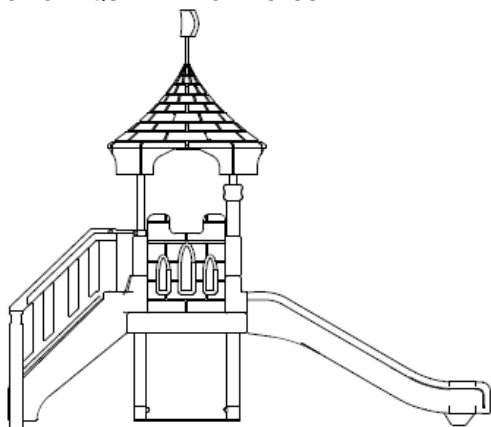


## AFACAN CASTLE 1

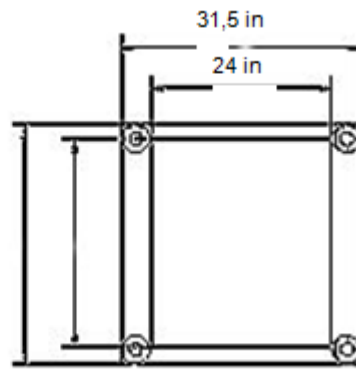
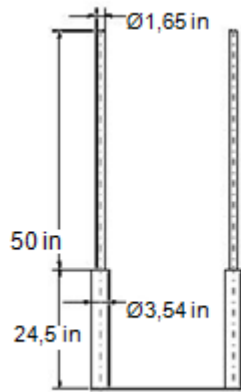
PLEASE RETAIN THIS INSTRUCTION SHEET IN YOUR FILES. IT CONTAINS IMPORTANT REPLACEMENT PARTS INFORMATION. ALL EQUIPMENT SHOULD BE INSTALLED IN ACCORDANCE WITH THESE INSTRUCTIONS.

IT IS IMPORTANT TO USE AND MAINTAIN ALL PLAY EQUIPMENT PROPERLY. IMPROPERLY MAINTAINED PLAY EQUIPMENT CAN CAUSE SERIOUS INJURY. PERIODIC INSPECTIONS, MAINTENANCE, REPAIR AND/OR REPLACEMENT OF DAMAGED PARTS IS NECESSARY FOR SAFE OPERATION OF EQUIPMENT AND SAFETY OF USERS.

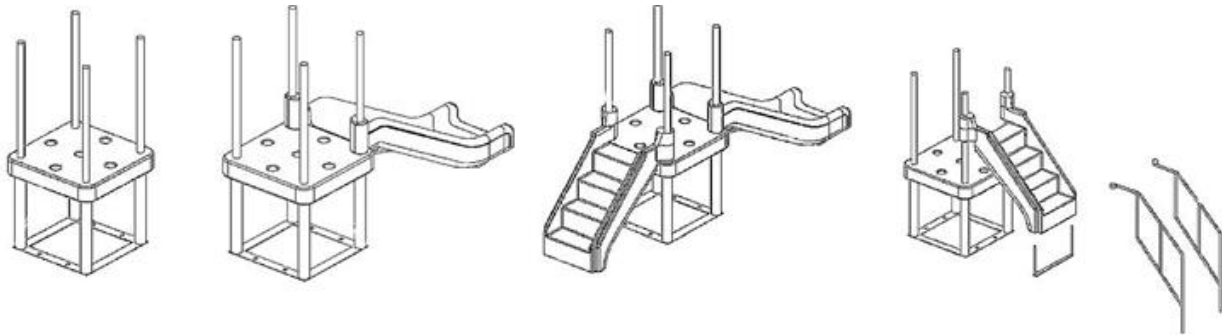
**RESILIENT SURFACING** SHOULD BE USED UNDER ALL PLAYGROUND EQUIPMENT. THE SUGGESTED USE AREA IS TO BE COVERED BY THESE MATERIALS OUTLINED ON THE PLAN VIEW. NO OTHER PIECE OF EQUIPMENT OR ITS USE AREA MAY ENCROACH ON THIS USE AREA



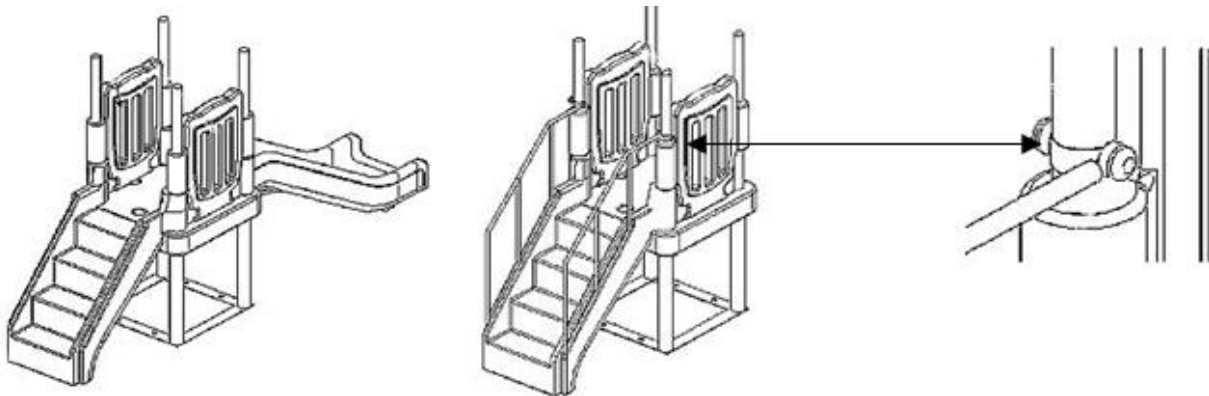
PACKING LIST	
QTY	DESCRIPTION
1	MAIN FREMA
1	PLATFORM 800mm' deck height
1	STEPS
2	HAND RAILS
1	SLIDE
1	SLIDE GUARD
2	TYPE 2 PLAIN
1	ROOF
1	HARDWARE BAG
<b>TOTAL: 11 PIECES ON 1 SKID</b>	
<b>WEIGHT: 333 Lb</b>	
<b>CLASS 70</b>	

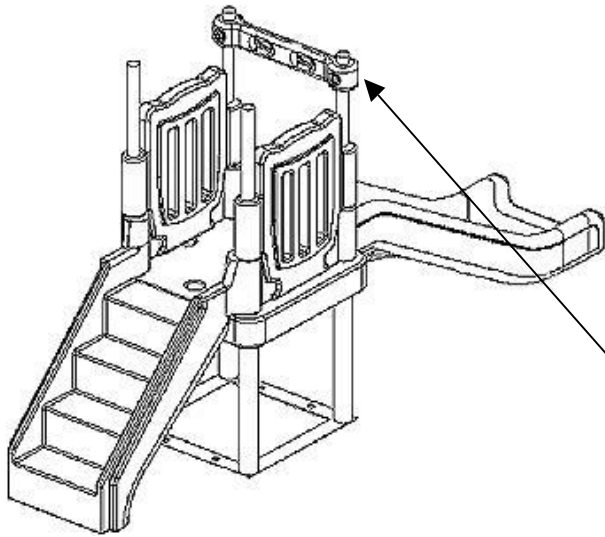


**Stack the components over the posts according to the drawings below:**



**Attach handrails securely to posts as shown:**





Drill  $\varnothing 0,46$ in holes through posts, slide guards, and protrusions of roof that are inserted into tops of posts. Attach slide guard and roof with hardware provided.

